

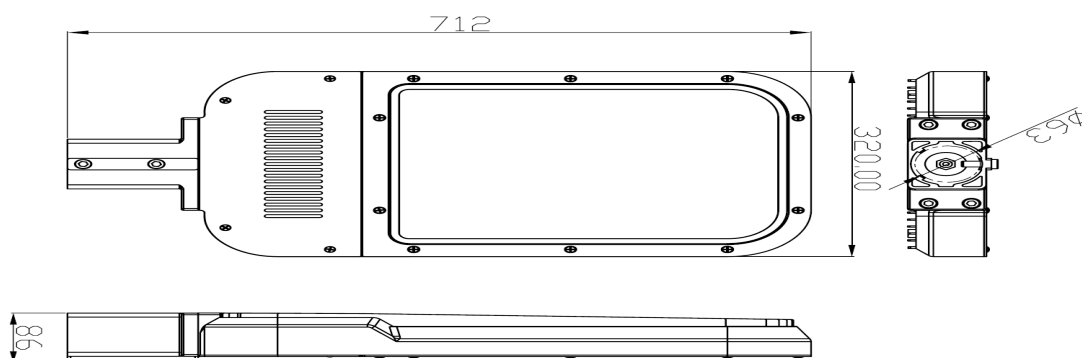
## LED Street Light

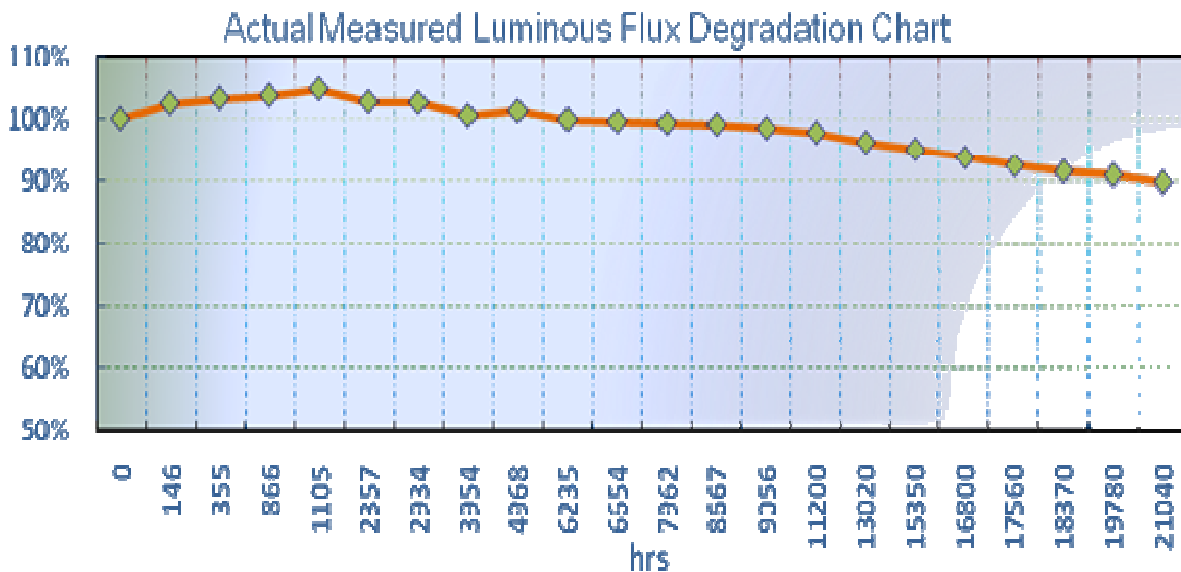
### Advantages



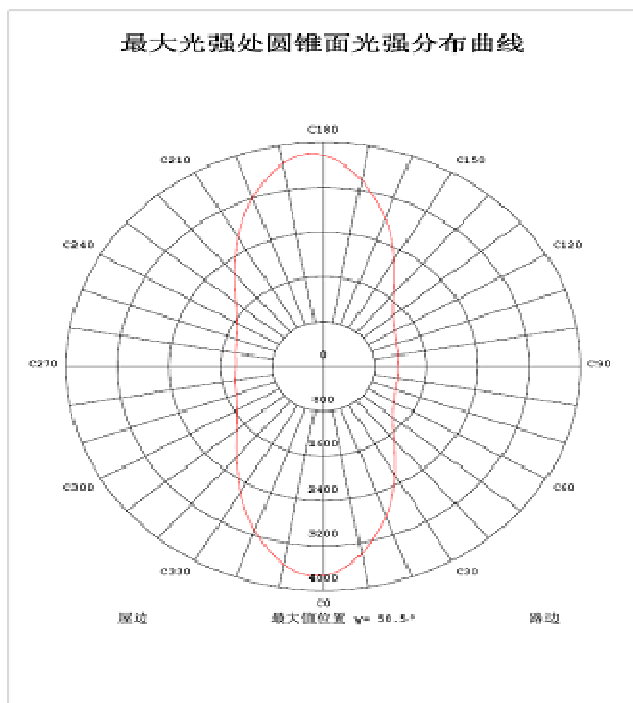
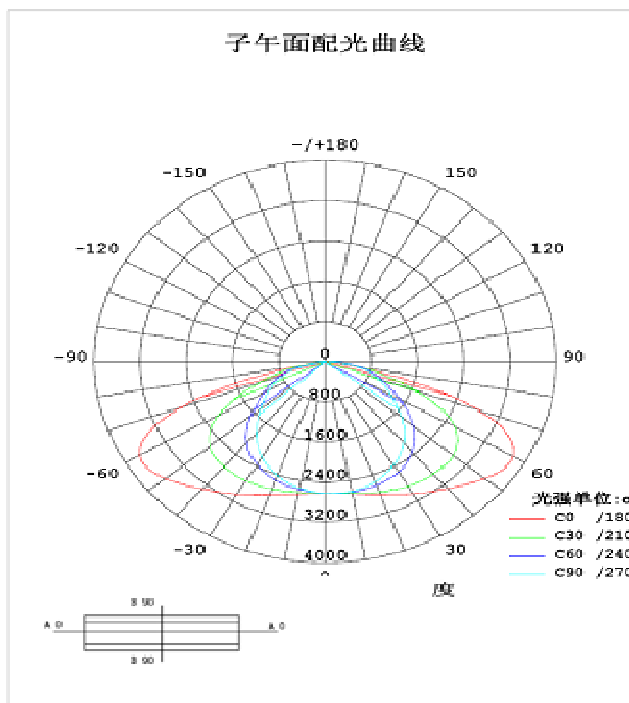
- ⊙ The Luminaire efficacy reaches more than 110 lm/W, much higher than other vendors' average 60~90 lm/w.
- ⊙ The usage of first lens and tempered glass has solved the problem of light loss and chromatic aberration caused by using second lens. It assures the uniformity of illuminance and chromaticity on the ground surface.
- ⊙ The unique eutectic bonding assures perfect LED thermal management from chip to external heat sinking mechanisms, the junction temperature is lower than 65°C, effectively controlling the light decay and prolonging the life time more than 50,000 hours.
- ⊙ Energy saving up to 70% compared with traditional HID, light decay is less than 3% per year by actual test.
- ⊙ The high reliable and intelligent driver and professional heat sink design technology assures the working temperature of the electronic components is not higher than 60°C.
- ⊙ Multiple lighting protection technology to assure the safety of street lamp.
- ⊙ Every single LED lamp working independently, one failed will not lead to the other' s failure.
- ⊙ Certification: CNS15233 / EMC / LVD / CE / CCC/ RoHS.

### Street Light Dimensions





Maintaining luminance rate is above 95% after working threes without maintenance.



The bat-wing light distribution forms a rectangular facula in the effective area on the road, ensuring the illumination uniformity in the longitudinal direction is above 0.5 and the total illumination uniformity on the road is above 0.4.

## LED Street Light Specifications

Model	YL0800A001	YL1000A001	YL1300A001
LED Power	85W	105W	140W
Luminous Flux	7159 lm	8346 lm	11186 lm
Input Voltage Range	AC 90V-260V		
Operating Current	410mA	470mA	647mA
Operating Frequency	50Hz / 60Hz		
Power Factor	0.94	0.95	0.95
Luminous Efficiency	83.92 lm/w	84.09 lm/w	78.93 lm/w
Color Temperature	5805 K	5914 K	5883 K
Color Rendering Index	Ra>70		
Life Time	>50,000 Hours		
Ambient Operating Temperature	- 40°C~ + 50°C		
Relative Humidity	10% ~ 90%		
Material	Aluminium die-cast one-forming		
Wide Viewing Angle	113 Degree	112 Degree	114 Degree
IP Protection Class	IP 65		
Maximum Number Of Candles	2559 Candle light	3024 Candle light	4057 Candle light
Dimensions	712*320*86 mm		
Interface	Cantilever O.D. ø 60 mm		
Net Weight	10 kg		
Packing Size	762*384*216 mm		